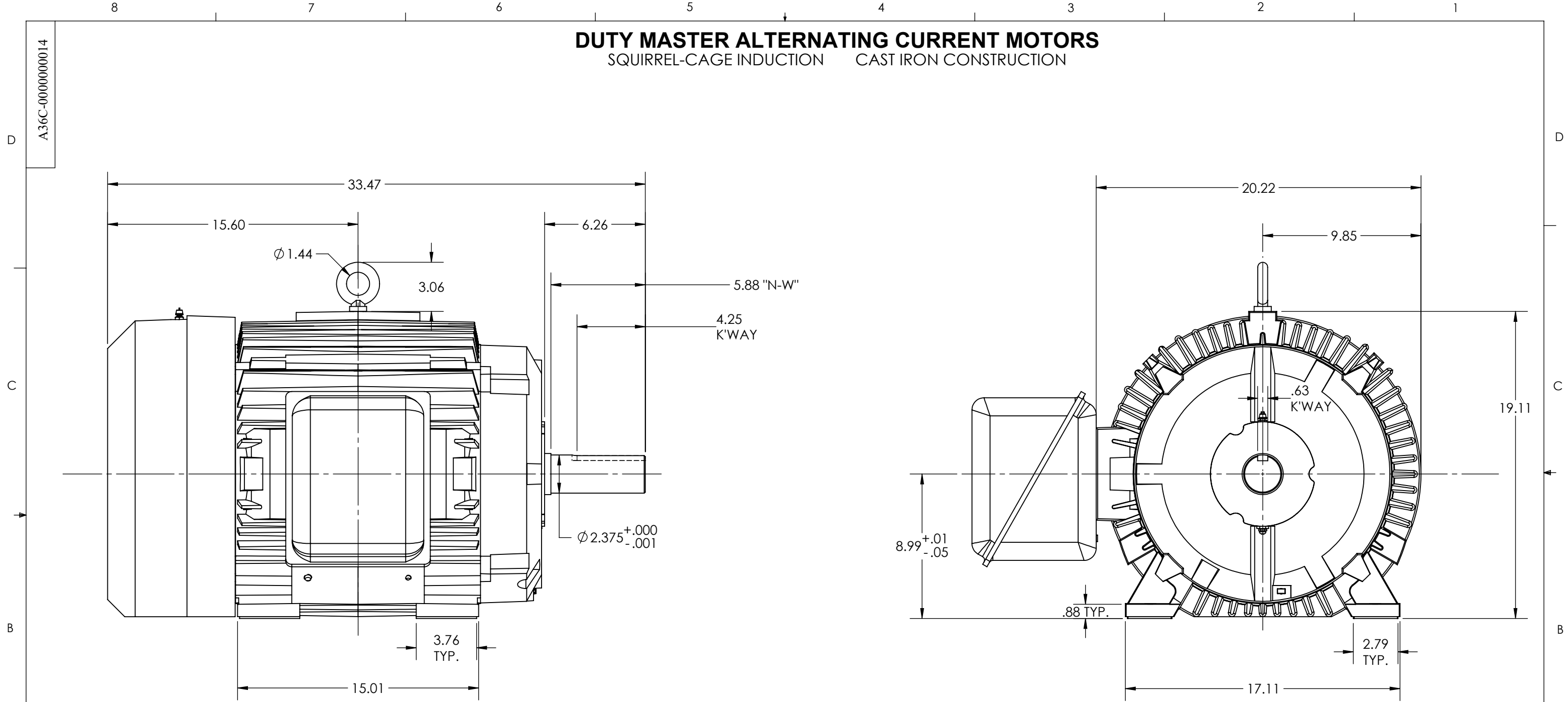


DUTY MASTER ALTERNATING CURRENT MOTORS

SQUIRREL-CAGE INDUCTION CAST IRON CONSTRUCTION



Ball bearing on the drive end
Slinger Each End

NOTES:

1. MAXIMUM ALLOWABLE RUNOUT AT THE END OF THE SHAFT = 0.003
2. SEE ADDITIONAL SHEETS FOR MORE DETAILED DIMENSIONAL INFORMATION
3. OBSTRUCTION MUST NOT ENCROACH ON AIR INLET. ALLOW 6" CLEARANCE BEYOND FAN COVER GRILL

CUSTOMER IS RESPONSIBLE FOR DETERMINING THAT THE PRODUCT WILL PERFORM SUITABLY IN THE INTENDED APPLICATION

REV. DESC: PARAMETER CREATED			
REV: -	VERSION: 00	REVISED: 2020-06-23 21:03:16	TDR:
MODEL NO. E360-FT-STD-F1			REF: -
BY: Administrator			B

BALDOR - RELIANCE®

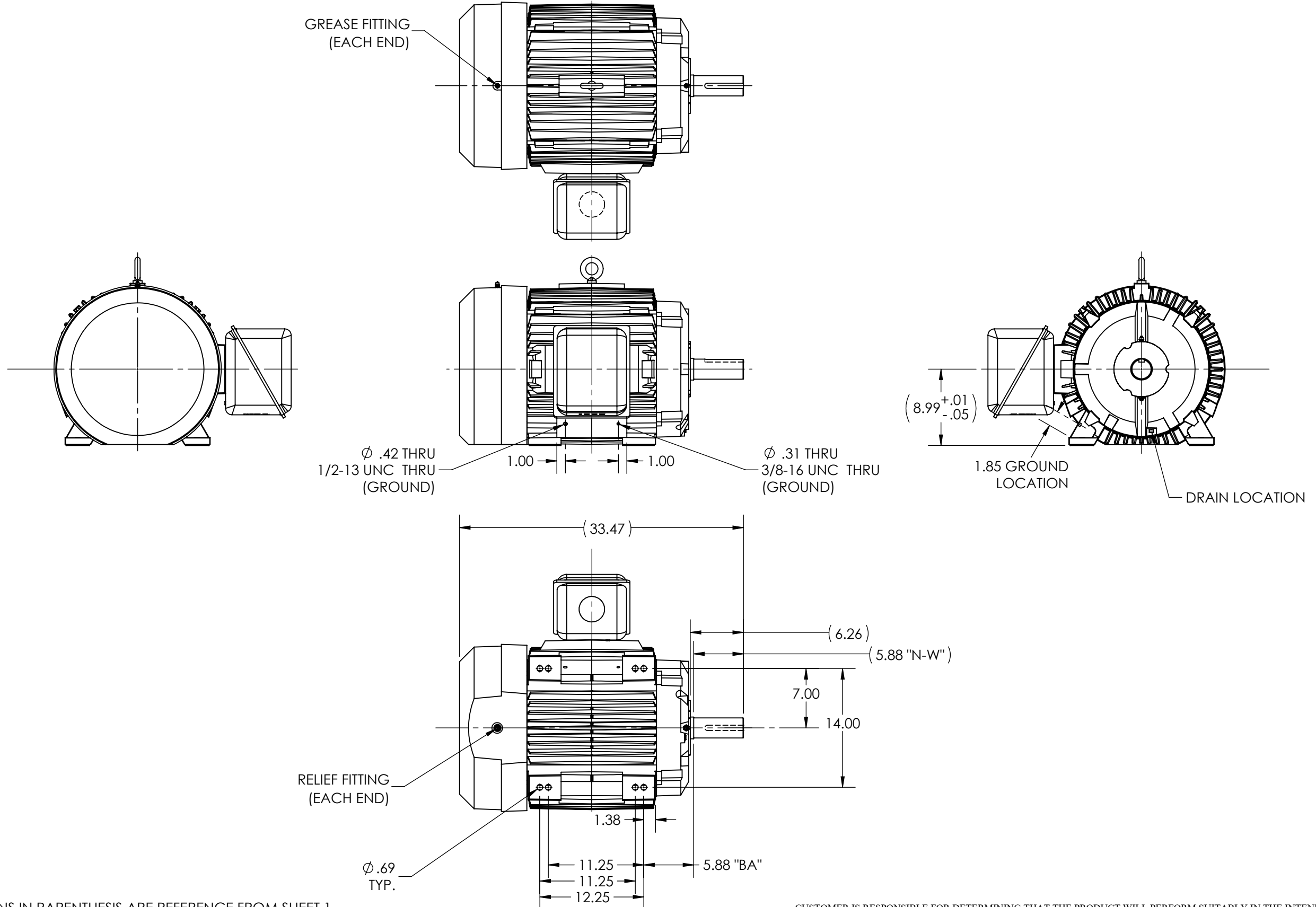
60HP, 1800RPM, 60HZ, 364T, TEFC

8 7 6 5 4 3 2 1

D
C
B
A

D
C
B
A

A36C-0000000014



NOTE:
DIMENSIONS IN PARENTHESIS ARE REFERENCE FROM SHEET 1

CUSTOMER IS RESPONSIBLE FOR DETERMINING THAT THE PRODUCT WILL PERFORM SUITABLY IN THE INTENDED APPLICATION

REV. DESC: PARAMETER CREATED			
REV: -	VERSION: 00	REVISED: 2020-06-23 21:03:16	TDR:
MODEL NO. E360-FT-STD-F1		REF: -	
BY: Administrator			B

BALDOR - RELIANCE®

60HP,1800RPM,60HZ,364T,TEFC

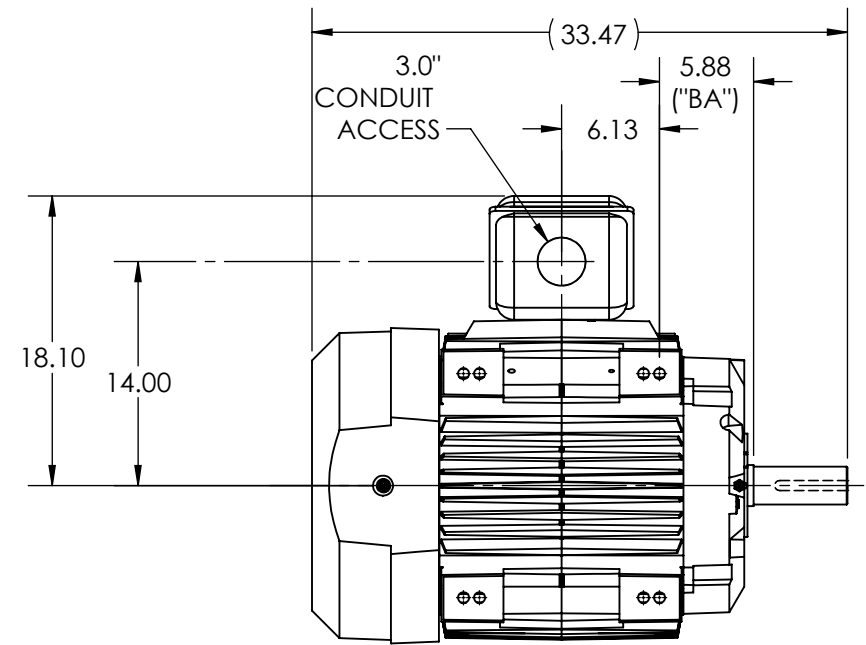
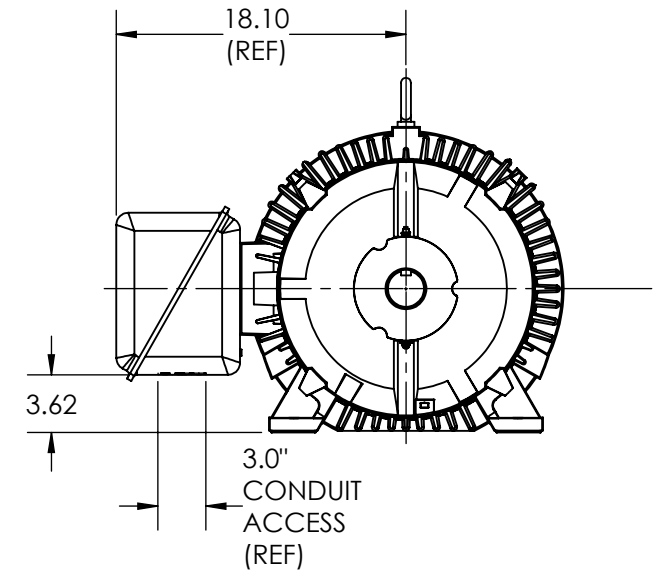
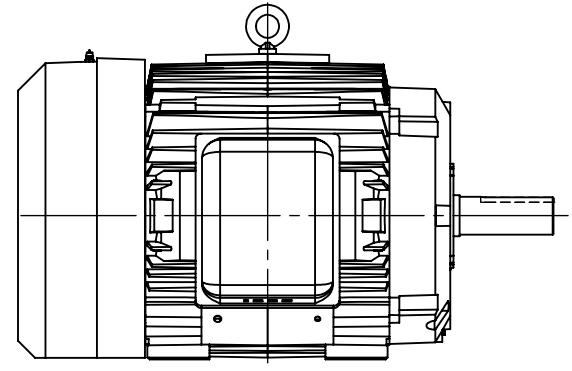
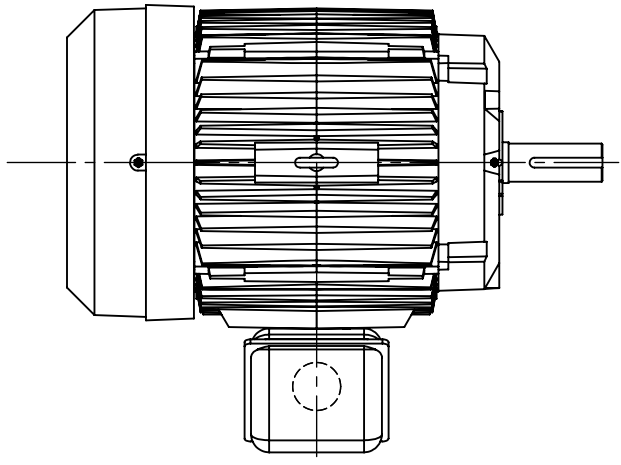
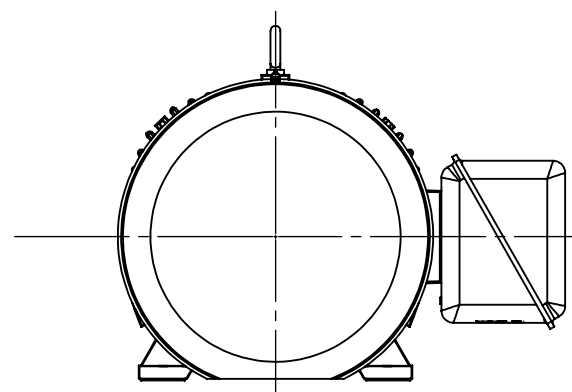
8 7 6 5 4 3 2 1

8 7 6 5 4 3 2 1

D
C
B
A

D
C
B
A

A36C-0000000014



NOTE:
DIMENSIONS IN PARENTHESIS ARE REFERENCE FROM SHEET 1

CUSTOMER IS RESPONSIBLE FOR DETERMINING THAT THE PRODUCT WILL PERFORM SUITABLY IN THE INTENDED APPLICATION

REV. DESC: PARAMETER CREATED			
REV: -	VERSION: 00	REVISED: 2020-06-23 21:03:16	TDR:
MODEL NO. E360-FT-STD-F1			REF: -
BY: Administrator			B

BALDOR - RELIANCE®

60HP,1800RPM,60HZ,364T,TEFC

8 7 6 5 4 3 2 1